



MANUFACTURING & ENGINEERING

Actek® Manufacturing & Engineering

1110 Fullerton Road

City of Industry, CA 91748

Toll Free: 800-752-7229

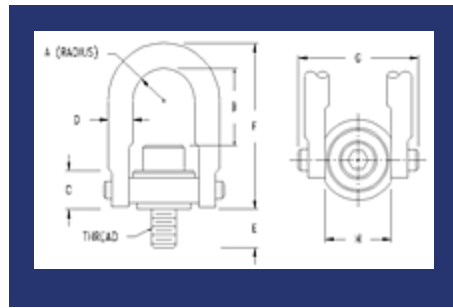
Phone: 626-581-3424

Fax: 626-581-3423

Email: [sales@actekmfg.com](mailto:sales@actekmfg.com)

Website: [www.actekmfg.com](http://www.actekmfg.com)

## Safety Swivel Hoist Ring



1 **2** 3 4

<u>Item #</u>	<u>U-Bar (D)</u>	<u>Rated Load</u>	<u>Thread Size</u>	<u>Thread Protrusion (E)</u>	<u>Bushing Head Diameter</u>	<u>B</u>	<u>Torque</u>
<u>46100</u>	3/8	600 lbs	1/4" - 20	0.54 in	0.85 in	1.27 in	6 ft-lbs
<u>46102</u>	3/8	800 lbs	5/16" - 18	0.29 in	0.85 in	1.27 in	7 ft-lbs
<u>46104</u>	3/8	800 lbs	5/16" - 18	0.54 in	0.85 in	1.27 in	7 ft-lbs
<u>46106</u>	3/8	1,000 lbs	3/8" - 16	0.54 in	0.85 in	1.27 in	12 ft-lbs

<u>Item #</u>	<u>U-Bar (D)</u>	<u>Rated Load</u>	<u>Thread Size</u>	<u>Thread Protrusion (E)</u>	<u>Bushing Head Diameter</u>	<u>B</u>	<u>Torque</u>
<u>46351</u>	3/8	1,250 lbs	7/16" - 14	0.79 in	0.99 in	1.20 in	22 ft-lbs
<u>46352</u>	3/8	1,500 lbs	1/2" - 13	0.79 in	0.99 in	1.15 in	28 ft-lbs
<u>46606</u>	1/2	2,000 lbs	7/16" - 14	1.07 in	1.20 in	1.9 in	22 ft-lbs
<u>46602</u>	1/2	2,500 lbs	1/2" - 13	1.07 in	1.20 in	1.84 in	28 ft-lbs
<u>46000</u>	3/4	2,000 lbs	7/16" - 14	0.78 in	1.45 in	2.37 in	22 ft-lbs
<u>46638</u>	3/4 - Long	2,000 lbs	7/16" - 14	0.78 in	1.45 in	4.34 in	22 ft-lbs
<u>46008</u>	3/4	2,500 lbs	1/2" - 13	0.78 in	1.45 in	2.31 in	28 ft-lbs
<u>46644</u>	3/4 - Long	2,500 lbs	1/2" - 13	0.78 in	1.45 in	4.25 in	28 ft-lbs
<u>46010</u>	3/4	2,500 lbs	1/2" - 13	1.03 in	1.45 in	2.31 in	28 ft-lbs
<u>46646</u>	3/4 - Long	2,500 lbs	1/2" - 13	1.03 in	1.45 in	4.25 in	28 ft-lbs
<u>46012</u>	3/4	2,500 lbs	1/2" - 13	1.28 in	1.45 in	2.31 in	28 ft-lbs
<u>46648</u>	3/4 - Long	2,500 lbs	1/2" - 13	1.28 in	1.45 in	4.25 in	28 ft-lbs
<u>46007</u>	3/4	2,500 lbs	9/16" - 12	0.78 in	1.45 in	2.25 in	30 ft-lbs

<u>Item #</u>	<u>U-Bar (D)</u>	<u>Rated Load</u>	<u>Thread Size</u>	<u>Thread Protrusion (E)</u>	<u>Bushing Head Diameter</u>	<u>B</u>	<u>Torque</u>
<u>46651</u>	3/4 - Long	2,500 lbs	9/16" - 12	0.78 in	1.45 in	4.19 in	30 ft-lbs
<u>46002</u>	3/4	4,000 lbs	5/8" - 11	0.78 in	1.45 in	2.18 in	60 ft-lbs
<u>46641</u>	3/4 - Long	4,000 lbs	5/8" - 11	0.78 in	1.45 in	4.12 in	60 ft-lbs
<u>46004</u>	3/4	4,000 lbs	5/8" - 11	1.03 in	1.45 in	2.18 in	60 ft-lbs
<u>46640</u>	3/4 - Long	4,000 lbs	5/8" - 11	1.03 in	1.45 in	4.12 in	60 ft-lbs
<u>46006</u>	3/4	4,000 lbs	5/8" - 11	1.28 in	1.45 in	2.18 in	60 ft-lbs
<u>46642</u>	3/4 - Long	4,000 lbs	5/8" - 11	1.28 in	1.45 in	4.12 in	60 ft-lbs
<u>46005</u>	3/4	4,000 lbs	5/8" - 11	1.53 in	1.45 in	2.18 in	60 ft-lbs