

SPREADERS

Hydraulic
1-1¹/₂ Ton



HS2000
(Forged Steel)

THE HYDRAULIC PRY BAR!

- Use to lift machines or as a clamp; spread concrete forms or rebar or perform straightening jobs.
- Conforms to ASME B30.1 standard.
- High strength alloy steel forged upper and lower jaws on HS2000.
- Jaws are spring-return; retract automatically when pressure is released.

No. HS2000 – 1-ton capacity spreader. Full 2,000 lbs. capacity at 10,000 psi. with 4" spread. Can be "dead-ended" at 4"

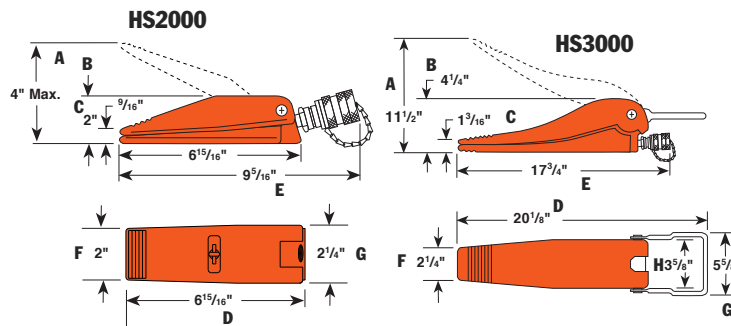
spread under full load. Needs only 9/16" clearance to engage jaws.

No. HS3000 – 1¹/₂-ton capacity spreader. Full 3,000 lb. capacity at 10,000 psi. with 11¹/₂" spread. Greater than competitive units. Needs only 1³/₁₆" clearance to engage jaws. Can be "dead-ended" at 11¹/₂" spread at full load.

HS3000
(High Grade Ductile Iron)



Tested to conform to ASME B30.1 standard



1	4	HS2000	4	2	9/16"	6 ¹⁵ / ₁₆ "	9 ⁵ / ₁₆ "	2	2 ¹ / ₄ "	—	.63	9/16"	4.8
1 ¹ / ₂	11 ¹ / ₂	HS3000	11 ¹ / ₂	4 ¹ / ₄	1 ³ / ₁₆ "	20 ⁷ / ₈ "	17 ³ / ₄ "	2 ¹ / ₄ "	5 ⁵ / ₈ "	3 ⁵ / ₈ "	3.5	1 ¹ / ₄ "	22

HS2000 SPECIFICATIONS

Maximum rated capacity....1 ton @ 10,000 psi
Maximum spread4"
Minimum clearance required9/16"
Cu. in. oil required63

HS3000 SPECIFICATIONS

Maximum rated capacity... 1¹/₂-ton @ 10,000 psi
Maximum spread..... 11¹/₂"
Minimum clearance required1³/₁₆"
Cu. in. oil required 3.50

HYDRAULIC TOOLS

