

# Posi Lock® 100 Ton Hydraulic Grip Pullers

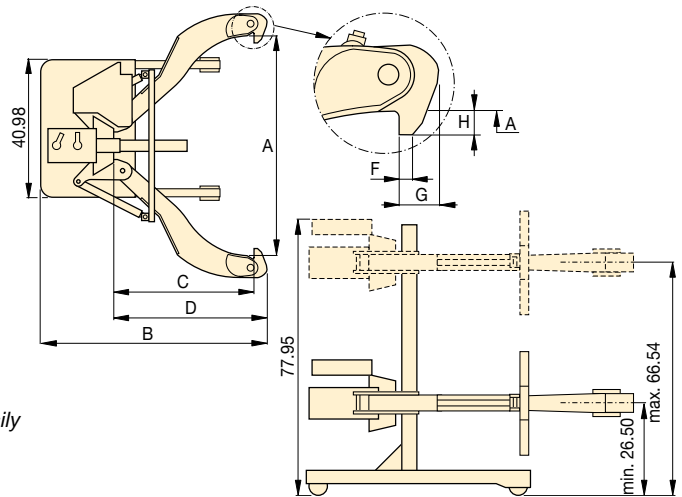
▼ EPH-1003



- Roller cart with power lift
- Adjustable jaw tips
- Puller easily detaches from cart
- Self-contained unit
- Puller height range 26.5" to 66.5"



◀ The EPH-1002 quickly and easily removes this drive coupler from its shaft.



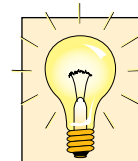
## EPH Series

Capacity:  
**100 tons**

Maximum Reach:  
**48 inches**

Maximum Spread:  
**70 inches**

Maximum Operating Pressure:  
**10,000 psi**



### Pushing Adaptors

All Posi Lock 100 Ton Hydraulic Pullers include (3) pushing adaptors.

Diameter (in)	Overall Length (in)	Model Number
3.5	29	EPHT-1162
3.5	19	EPHT-1163
3.5	9	EPHT-1164

Number of Jaws	Max. Spread (in)	Capacity (tons)	Model Number	Dimensions (in)							Weight (lbs)
				Spread Range	Overall Length	Reach (max.)	Jaw Length	Jaw Width	Tip Clearance	Tip Depth	
				A	B	C	D	F	G	H	
2	70.00	100	EPH-1002	10.5-70.0	77.00	48.00	53.00	1.25	3.5	3.5	1700
3	70.00		EPH-1003	10.5-70.0	77.00	48.00	53.00	1.25	3.5	3.5	1950