

Parts List for:

RA202	RA204K
RA202K	RA206
RA204	RA206K

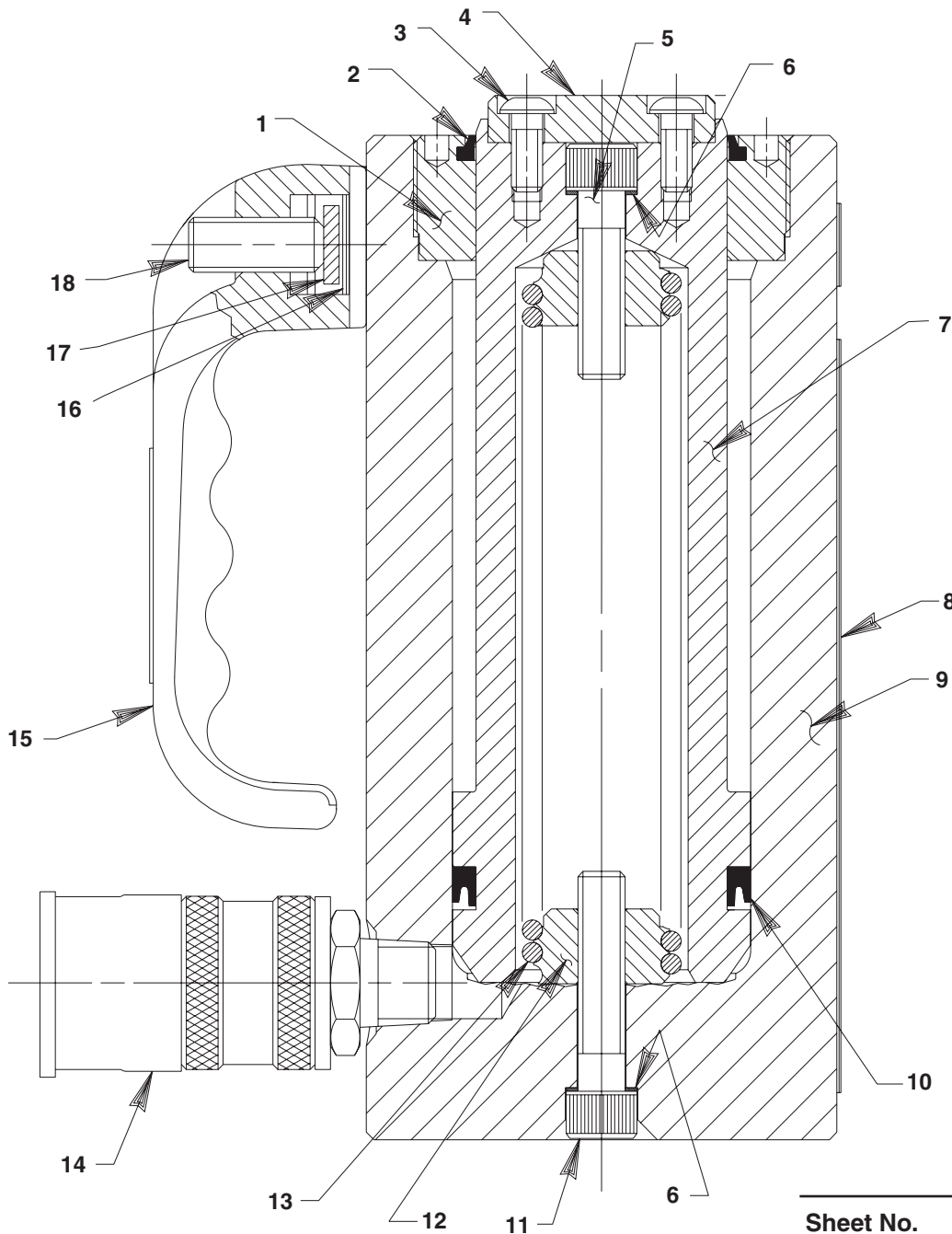
## SINGLE-ACTING, SPRING RETURN, ALUMINUM HYDRAULIC CYLINDER

Max. Capacity: 22.2 Tons at 10,000 PSI

RA202 & RA202K - 2-1/8" Stroke

RA204 & RA204K - 4-1/8" Stroke

RA206 & RA206K - 6-1/8" Stroke



Note: Shaded areas reflect last revision(s) made to this form.

Sheet No. 1 of 1

Rev. 1

Date: 15 Sept. 1996

# Parts List, Form No. 101297, Back sheet 1 of 1

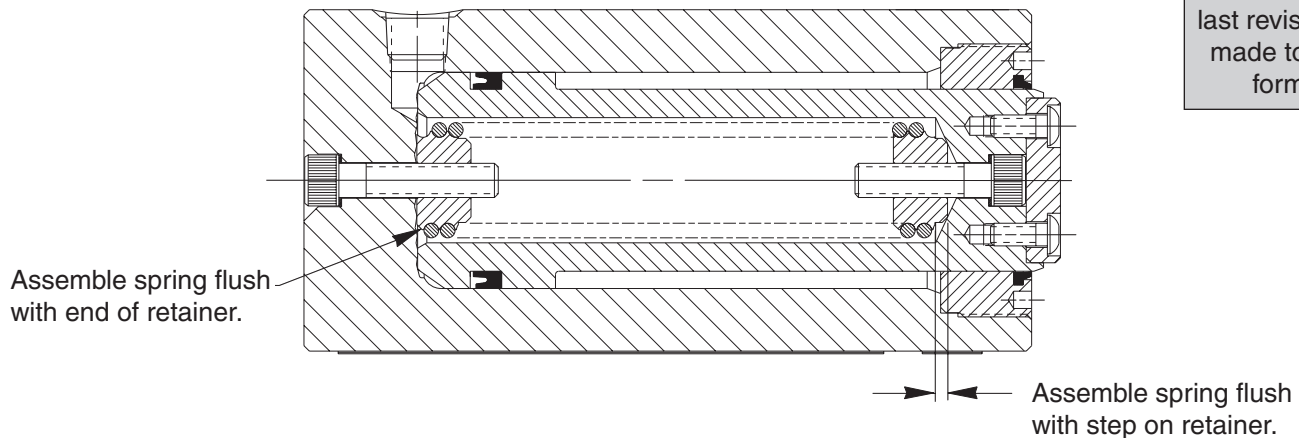
Item No.	Part No.	No. Req'd	Description
1	350439	1	Retainer Nut (Torque to 70/80 ft. lbs. wet or dry)
2	*204960	1	Rod Wiper
3	15911	2	Cap Screw (1/4-20 X 5/8 Lg.)
4	250735	1	Front Plate
5	10984	1	Cap Screw (3/8-16 UNC x 1-3/4 Lg.; Torque to 400/425 in. lbs.)
6	*12042	2	Copper Washer (9/16 X 3/8 X 1/32)
7	420503	1	Piston Rod (For RA206 & RA206K)
	420504	1	Piston Rod (For RA204 & RA204K)
	420647	1	Piston Rod (For RA202K & RA202)
8	250992	1	Trade Name Decal (For RA206 & RA206K)
	250991	1	Trade Name Decal (For RA204 & RA204K)
	251135	1	Trade Name Decal (For RA202K)
	252233	1	Trade Name Decal (For RA202)
9	58296	1	Cylinder Body (For RA206 & RA206K)
	58297	1	Cylinder Body (For RA204 & RA204K)
	58376	1	Cylinder Body (For RA202K & RA202)
10	*250874	1	U-cup
11	12577	1	Cap Screw (3/8-16 UNC x 1-3/4 Lg.; Torque to 400/425 in. lbs.)
12	250876	2	Spring Retainer
13	250871	1	Extension Spring (For RA206 & RA206K)
	250870	1	Extension Spring (For RA204 & RA204K)
	251136	1	Extension Spring (For RA202K & RA202)
14	25600	1	Ram Half Coupler with Plastic Dust Cap
15	350547	1	Handle (For RA206K & RA204K only)
	350666	1	Handle (For RA202K only)
16	250884	1.29 ft.	Strapping (For RA206K, RA204K & RA202K only)
17	250881	1	Tensioner Plate (For RA206K, RA204K & RA202K only)
18	251035	1	Hex Soc. Screw (7/16-14 UNC X 1" Lg.; Torque to 90/100 in. lbs. For RA206K, RA204K & RA202K only)

### PARTS INCLUDED BUT NOT SHOWN

\*203908 1 Warning Decal

Part numbers marked with an asterisk (\*) are contained in Repair Kit No. 300631.

## SPRING & RETAINER ASSEMBLY



Note: Shaded areas reflect last revision(s) made to this form.

Refer to any operating instructions included with this product for detailed information about operation, testing, disassembly, reassembly, and preventive maintenance.

Items found in this parts list have been carefully tested and selected. **Therefore: Use only genuine Power Team replacement parts!**

Additional questions can be directed to our Technical Services Department.